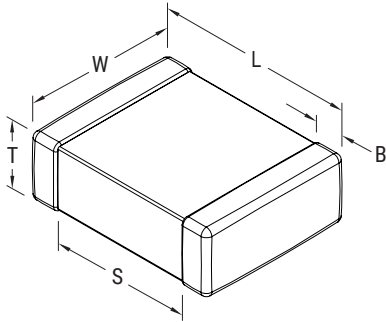


Sample Kit Contents

KEMET Part Number	Case Size	Capacitance	Cap Tolerance	Rated Voltage	T Thickness	Dielectric	Quantity
	EIA/Metric	pF	%	VDC	mm		
C0805C689JCGACTU	0805/2012	6.8	±5	500	1.25 ±0.15	COG	50
C0805C390JCGACTU	0805/2012	39	±5	500	1.25 ±0.15	COG	50
C0805C470JDGACTU	0805/2012	47	±5	1000	1.25 ±0.15	COG	50
C0805C101JCGACTU	0805/2012	100	±5	500	1.25 ±0.15	COG	50
C0805C121JDGACTU	0805/2012	120	±5	1000	1.25 ±0.15	COG	50
C0805C241JCGACTU	0805/2012	240	±5	500	1.25 ±0.15	COG	50
C1206C330JDGACTU	1206/3216	33	±5	1000	1.60 ±0.15	COG	50
C1206C181JGGACTU	1206/3216	180	±5	2000	1.60 ±0.15	COG	50
C1206C391JFGACTU	1206/3216	390	±5	1500	1.60 ±0.15	COG	50
C1206C681JDGACTU	1206/3216	680	±5	1000	1.60 ±0.15	COG	50
C1206C821JBGACTU	1206/3216	820	±5	630	1.20 ±0.15	COG	50
C1206C102JBGACTU	1206/3216	1000	±5	630	1.20 ±0.15	COG	50
C1210C471JGGACTU	1210/3225	470	±5	2000	2.50 ±0.30	COG	50
C1210C681JFGACTU	1210/3225	680	±5	1500	2.50 ±0.30	COG	50
C1210C272JCGACTU	1210/3225	2700	±5	500	2.50 ±0.30	COG	50
C1210C332JCGACTU	1210/3225	3300	±5	500	2.50 ±0.30	COG	50
C1808C121JHGACTU	1808/4520	120	±5	3000	1.60 ±0.15	COG	50
C1808C221JZGACTU	1808/4520	220	±5	2500	2.00 ±0.15	COG	50
C1812C471JGGACTU	1812/4532	470	±5	2000	1.60 ±0.20	COG	25
C1812C102JDGACTU	1812/4532	1000	±5	1000	1.40 ±0.15	COG	25
C1812C222JDGACTU	1812/4532	2200	±5	1000	1.60 ±0.20	COG	25
C2220C331JFGACTU	2220/5650	330	±5	1500	1.40 ±0.15	COG	25
C2220C102JCGACTU	2220/5650	1000	±5	500	1.40 ±0.15	COG	25
C2220C472JDGACTU	2220/5650	4700	±5	1000	1.60 ±0.20	COG	25

Dimensions – Millimeters (Inches)



Case Size (in.)	Case Size (mm)	L Length	W Width	T Thickness	B Bandwidth	S Separation Minimum	Mounting Technique
0805	2012	2.00 (0.079) ±0.20 (0.008)	1.25 (0.049) ±0.20 (0.008)	See Table Above	0.50 (0.02) ±0.25 (0.010)	0.75 (0.030)	Solder Wave or Solder Reflow
1206	3216	3.20 (0.126) ±0.20 (0.008)	1.60 (0.063) ±0.20 (0.008)		0.50 (0.02) ±0.25 (0.010)	N/A	
1210	3225	3.20 (0.126) ±0.20 (0.008)	2.50 (0.098) ±0.20 (0.008)		0.50 (0.02) ±0.25 (0.010)		Solder Reflow Only
1808	4520	4.70 (0.185) ±0.50 (0.020)	2.00 (0.079) ±0.20 (0.008)		0.60 (0.024) ±0.35 (0.014)		
1812	4532	4.50 (0.177) ±0.30 (0.012)	3.20 (0.126) ±0.30 (0.012)		0.60 (0.024) ±0.35 (0.014)		
2220	5650	5.70 (0.224) ±0.40 (0.016)	5.00 (0.197) ±0.40 (0.016)		0.60 (0.024) ±0.35 (0.014)		

KEMET Electronics Corporation Sales Offices

For a complete list of our global sales offices, please visit www.kemet.com/sales.

Disclaimer

YAGEO Corporation and its affiliates do not recommend the use of commercial or automotive grade products for high reliability applications or manned space flight.

All product specifications, statements, information and data (collectively, the "Information") in this datasheet are subject to change. The customer is responsible for checking and verifying the extent to which the Information contained in this publication is applicable to an order at the time the order is placed. All Information given herein is believed to be accurate and reliable, but it is presented without guarantee, warranty, or responsibility of any kind, expressed or implied.

Statements of suitability for certain applications are based on KEMET Electronics Corporation's ("KEMET") knowledge of typical operating conditions for such applications, but are not intended to constitute – and KEMET specifically disclaims – any warranty concerning suitability for a specific customer application or use. The Information is intended for use only by customers who have the requisite experience and capability to determine the correct products for their application. Any technical advice inferred from this Information or otherwise provided by KEMET with reference to the use of KEMET's products is given gratis, and KEMET assumes no obligation or liability for the advice given or results obtained.

Although KEMET designs and manufactures its products to the most stringent quality and safety standards, given the current state of the art, isolated component failures may still occur. Accordingly, customer applications which require a high degree of reliability or safety should employ suitable designs or other safeguards (such as installation of protective circuitry or redundancies) in order to ensure that the failure of an electrical component does not result in a risk of personal injury or property damage.

Although all product-related warnings, cautions and notes must be observed, the customer should not assume that all safety measures are indicated or that other measures may not be required.

KEMET is a registered trademark of KEMET Electronics Corporation.